



# Dynalite LED PWM Controllers

## DDLEDC605GL

PWM Controller to directly drive LED fittings with pulse width modulation technology

PWM Controller to directly drive LED fittings with pulse width modulation technology

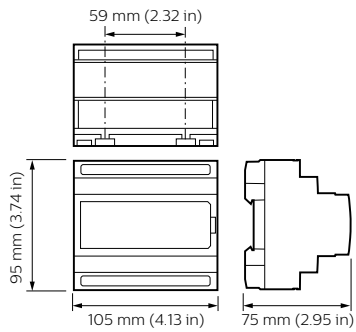
### Product data

General Information	
CE mark	CE mark
C-Tick	C-Tick
Remarks	Please download the Lighting - Product Data Sheet for more information and ordering options
EU RoHS compliant	Yes
Application Conditions	
Ambient temperature range	0 to +40 °C
Product Data	
Full product code	871016351646200

Order product name	DDLEDC605GL
EAN/UPC – product	8710163516462
Order code	913703061209
SAP numerator – quantity per pack	1
Numerator – packs per outer box	1
SAP material	913703061209
SAP net weight (piece)	0.207 kg

## Dynalite LED PWM Controllers

### Dimensional drawing



Dynalite Trailing Edge Dimmers

