



# Essential Smartbright Projector Gen 2

## ZCS033 LCP WH

Essential SmartBright Projector ST033T is a value for money product designed for Mass market trade. It is designed to replace halogen and CDM-standard-based projectors for retail and hospitality applications. This track based luminaire supports retailers to let their products stand out or highlight certain objects. The clean and contemporary design with integrated driver and choice in 24 or 36 degrees beam angle makes the Essential SmartBright Projector relevant to many applications. The choice of 2 colours in White and Black helps the Retailer to choose products best suited to blend into the Store Environment. Compared to its predecessor, it is not only cost effective but also a more sleek and lighter product design. The product family includes 1M and 2M Track in Black and white colour with I and L connector to support various applications.

### Product data

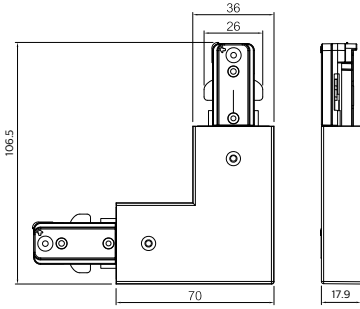
General information		Overall height	
Protection class IEC	Safety class I (I)	Overall height	17.9 mm
CE mark	-	Dimensions (height x width x depth)	18 x 107 x 107 mm (0.7 x 4.2 x 4.2 in)
Material	Aluminum	<b>Approval and application</b>	
Angle	-	Ingress protection code	IP20 [ Finger-protected]
Colour	White	Mech. impact protection code	-
<b>Operating and electrical</b>		<b>Product data</b>	
Input Voltage	220 to 240 V	Full product code	692382864657899
Input frequency	50 or 60 Hz	Order product name	ZCS033 LCP WH
<b>Mechanical and housing</b>		EAN/UPC – product	6923828646578
Overall length	106.5 mm	Order code	911401860182
Overall width	106.5 mm	SAP numerator – quantity per pack	1
		Numerator – packs per outer box	60

# Essential Smartbright Projector Gen 2

SAP material	911401860182
Net Weight (Piece)	0.088 kg



## Dimensional drawing



ZCS033 LCP WH

