

# GreenPerform Batten G3 BN398C

## BN398X LED20/865 L600 L1 W WB

GreenPerform batten BN398C is a cost competitive linear solution with good performance and multiple lumen output for retail and industry applications. It offers surface mount and suspension installations to cater for different mounting options. Its multiple optic designs accommodate different applications as well.

### Product data

General information	
Lamp colour code	865 cool daylight
Optical cover/lens type	No [ - ]
Control interface	BLE
Protection class IEC	Safety class I (I)
Flammability mark	NO [ - ]
CE mark	CE mark
Number of products on MCB (16 A type B)	84
Light source engine type	LED

Operating and electrical	
Input Voltage	220-240 V
Input frequency	50 or 60 Hz
Inrush current	8 A
Power factor (min.)	0.95

Controls and dimming	
Dimmable	Wireless Dim

Mechanical and housing	
Housing material	Steel
Optical cover/lens material	Polymethyl methacrylate
Optical cover/lens finish	Clear
Overall length	626 mm
Overall width	58 mm
Overall height	58 mm
Colour	White

Approval and application	
Ingress protection code	IP20 [ Finger-protected]
Mech. impact protection code	IK03 [ 0.3 J]

Initial performance (IEC compliant)	
Initial luminous flux (system flux)	2000 lm

## GreenPerform Batten G3 BN398C

Luminous flux tolerance	+/-10%
Initial LED luminaire efficacy	145 lm/W
Lamp colour temperature	6500 K
Colour Rendering Index	>80
Initial chromaticity	SDCM<5
Initial input power	11.88 14.52 W
Power consumption tolerance	+/-10%

### Application conditions

Ambient temperature range	-20 to +40 °C
---------------------------	---------------

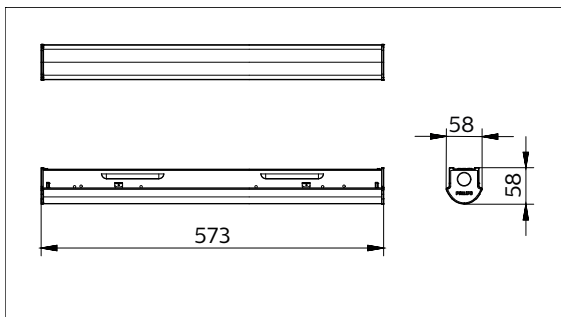
### Product data

Full product code	692382865754300
-------------------	-----------------

Order product name	BN398X LED20/865 L600 L1 W WB
EAN/UPC – product	6923828657543
Order code	911401550102
SAP numerator – quantity per pack	1
Numerator – packs per outer box	1
SAP material	911401550102
Net Weight (Piece)	0.990 kg



## Dimensional drawing



BN398X LED20/865 L600 L1 W WB

