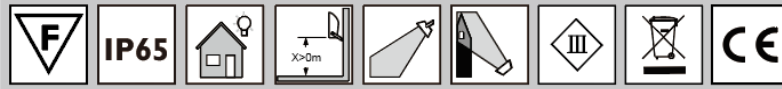
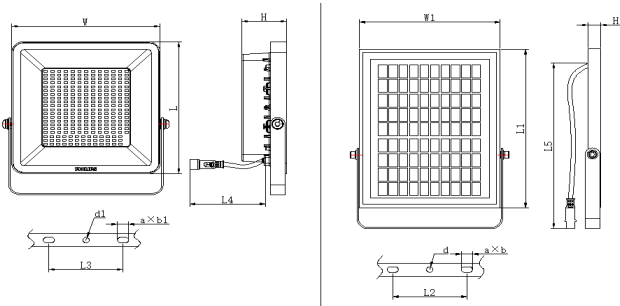


Smart Bright Solar Flood Light

BVP080 Mounting instruction

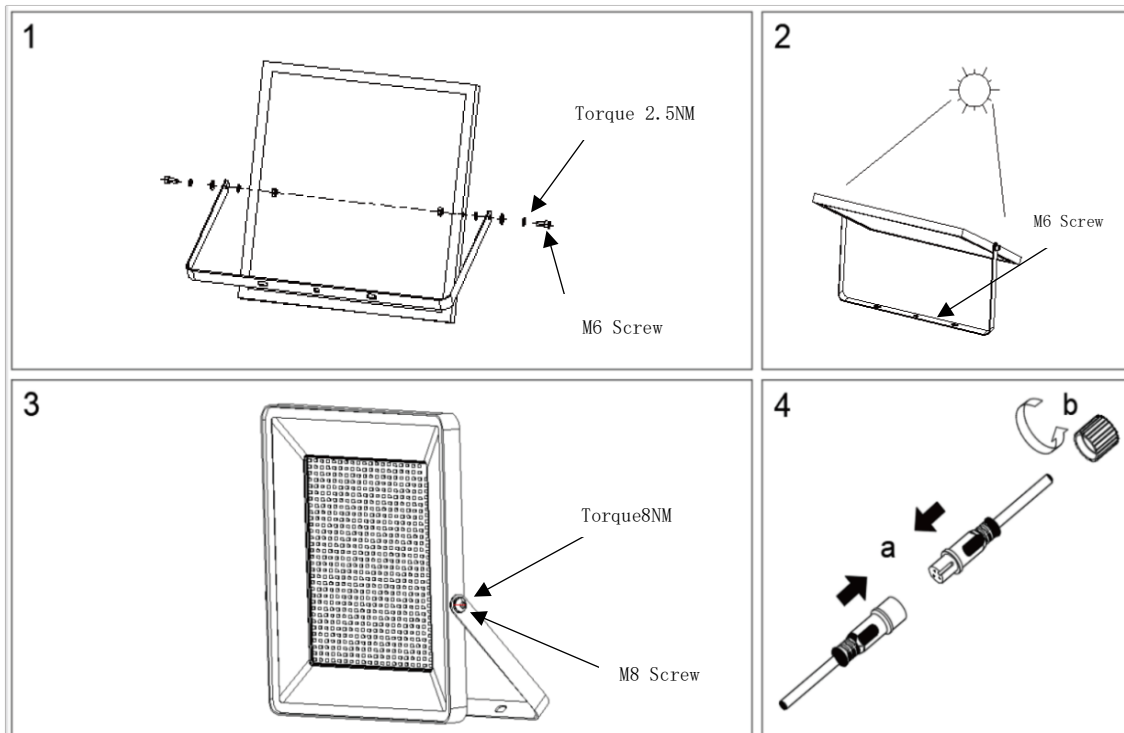


Type Number	Flux(lm)	Battery type	Battery parameter	PV parameter	Remote type	Remote distance	CCT	Ta	Weight	luminous area
BVP080 LED10/757 060 G2	1000lm	Lithium iron phosphate	3.2V/6AH	7W/5V	infrared	≤ 8m	5700K	0-45 °C	2.02Kg	0.029m ²
BVP080 LED20/757 100 G2	2000lm	Lithium iron phosphate	3.2V/12AH	13W/5V	infrared	≤ 8m	5700K	0-45 °C	2.57Kg	0.029m ²
BVP080 LED30/757 150 G2	3000lm	Lithium iron phosphate	9.6V/6AH	20W/15V	infrared	≤ 8m	5700K	0-45 °C	4.25Kg	0.073m ²
BVP080 LED48/757 200 G2	4800lm	Lithium iron phosphate	9.6V/12AH	32W/15V	infrared	≤ 8m	5700K	0-45 °C	5.24Kg	0.073m ²



TYPE	W	L	H	W1	L1	H1	L4
1000lm	200	200	60.4	190	240	17	200
2000lm	200	200	60.4	240	350	17	200
3000lm	300	300	63.5	350	350	17	200
4800lm	300	300	63.5	350	500	17	200

TYPE	L2	d	a×b	L3	d1	a×b1	L5
1000lm	100	8.5	15×8.5	100	8.5	15×8.5	4800
2000lm	100	8.5	15×8.5	100	8.5	15×8.5	4800
3000lm	180	8.5	15×8.5	180	8.5	15×8.5	4800
4800lm	180	8.5	15×8.5	180	8.5	15×8.5	4800



Signify (China) Investment Co., Ltd.
 Building No. 9, Lane 888, Tianlin Road, Minhang District, Shanghai, China
 Postal code: 200233
 昕诺飞（中国）投资有限公司
 中国上海市闵行区田林路888弄9号楼
 邮编：200233

PHILIPS

Philips and the Philips shield emblem are registered trademarks of Koninklijke Philips N.V.



Auto(Wake up); Luminaire will light on dusk to dawn(max 12Hours) per default lighting profile

3H: Luminaire will light on 3 hours per default lighting profile and then turn off

5H: Luminaire will light on 5 hours per default lighting profile and then turn off

8H: Luminaire will light on 8 hours per default lighting profile and then turn off



Dim Down: Light output from 100% to 10%, every step 10%

(Note: It will exit dim mode after 2Hours for previous Auto mode)

Dim Up: Light output from 10% to 100%, every step 10%

On/OFF(For Indoor Use Purpose): Luminaire Light On/OFF per remote controller, light on with 100% light output

Notes :

- Before using the product connect solar panel cable to luminaire to active luminaire with factory default working mode **Auto**, and then use the functions of the remote control
- To go into Sleep mode (Stay for storage purpose), press **OFF** key, wake up by press **Auto** key
- LED indication on luminaire: Green on (Charging), Green Flash(Battery Low Capacity,<30%)

Application NOTES:

- Install the solar panel on open roof or wall facing towards Sun. The tilt angle can be adjusted.
- There shall not be any light source over the solar panel at night, as it may interfere with the operations of solar flood light.
- Charge the product under Sunlight for 8 hours before first use.
- After installation, the working modes can be set from infrared remote controller.
- This product does not need any external electrical connection. It works 100% on solar energy.
- Detection of dusk/dawn is based on light intensity falling on solar panel.
- The battery backup will reduce if the ambient temperature is < 0 degree Celsius.
- When battery low capacity (<30%), light output will dim down to 15% to extend running time.
- The light source of this luminaire is not replaceable; when the light source reaches its end of life the whole luminaire shall be replace.
- The products can be stored up to 6 months. In case it is required to store more than 6 months, it is must to re-charge the product in bright daylight. Otherwise, it may affect the battery lifetime performance.
- Lighting profile from dusk to dawn(Max 12Hours), applicable for **3H/5H/8H** working mode.
- The operating position is universal.
- Suitable for indoor and outdoor use.

Period 1	Period 2	Period 3	Period 4	Period 5	Period 6
20% Light output for 1hr	100% Light output for 30min	40% Light output for 1hr	20% Light output for 1.5hr	10% Light output for 2hr	5% Light output for 6hr