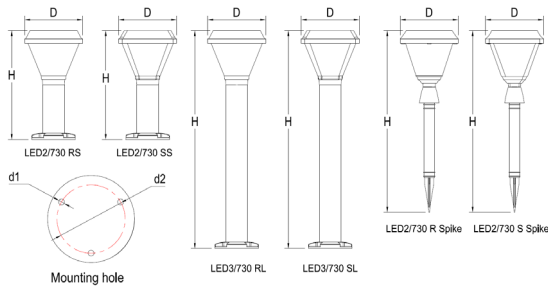


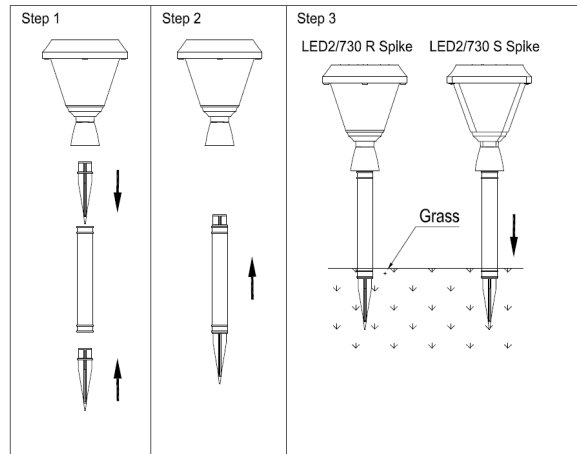
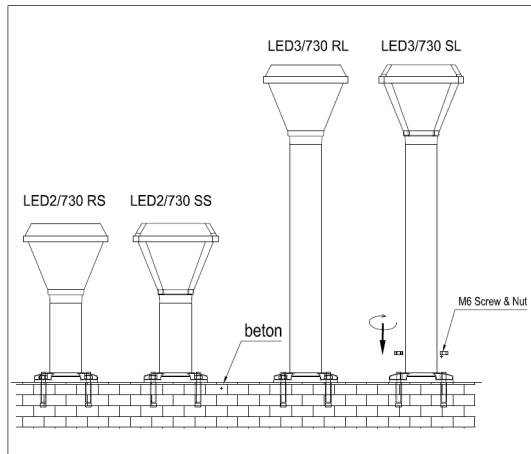
Essential SmartBright Solar Bollard BGC010 Mounting instruction



Type Number	Flux(lm)	Battery type	Battery parameter	PV parameter	Remote type	Remote distance	CCT	Ta
BGC010 LED2/730 RS	200lm	Ternary lithium	3.7V/2Ah	5.5V/1.1W	infrared	≤ 3m	3000K	0-45°C
BGC010 LED2/730 SS	200lm	Ternary lithium	3.7V/2Ah	5.5V/1.4W	infrared	≤ 3m	3000K	0-45°C
BGC010 LED3/730 RL	300lm	Ternary lithium	3.7V/2Ah	5.5V/1.1W	infrared	≤ 3m	3000K	0-45°C
BGC010 LED3/730 SL	300lm	Ternary lithium	3.7V/2Ah	5.5V/1.4W	infrared	≤ 3m	3000K	0-45°C
BGC010 LED2/730 R Spike	200lm	Ternary lithium	3.7V/2Ah	5.5V/1.1W	infrared	≤ 3m	3000K	0-45°C
BGC010 LED2/730 S Spike	200lm	Ternary lithium	3.7V/2Ah	5.5V/1.4W	infrared	≤ 3m	3000K	0-45°C



TYPE	D	H	d1	d2
BGC010 LED2/730 RS	Ø160	300	Ø8.2	Ø94
BGC010 LED2/730 SS	160*160	300	Ø8.2	Ø94
BGC010 LED3/730 RL	Ø160	600	Ø8.2	Ø94
BGC010 LED3/730 SL	160*160	600	Ø8.2	Ø94
BGC010 LED2/730 R Spike	Ø160	500		
BGC010 LED2/730 S Spike	160*160	500		



Remote Controller Function:



- **On:** Wake up the luminaire with last used working mode, luminaire will work automatically, charging during daytime, and light on after dusk until battery low voltage cut off. If press "ON" key during charging, luminaire will light on 10S, and then light off back to normal working mode.
- **OFF:** Luminaire come into sleep mode, no light output during evening, but it could harvest energy during daytime.
- **3H:** Light on with bright mode after dusk, until battery low, indicatively in 3 Hours on a full battery
- **6H:** Light on with half bright mode after dusk, until battery low, indicatively in 6 Hours on a full battery
- **12H:** Light on with low bright mode after dusk, until battery low, indicatively in 12 Hours on a full battery

Note:

- The luminaire first use need the remote controller to wake up. Remote controller is not equipped with battery by factory default. The Remote controller need button cell battery type 2025
- The factory default working mode is "3H" when press "ON" key
- LED indication on lamp: Red on(Charging)
- Light is not constant output, it will gradually dim down along with battery capacity lower

Application Notes:

- Try to install in a sunny place that is not shaded by trees, building, walls etc. so that the Solar panel receive maximum Sunlight for charging the battery.
- Charge the product under Sunlight for 8 hours before first use.
- After installation, the working modes can be set from infrared remote controller.
- This product does not need any external electrical connection. It works 100% on solar energy.
- Detection of Sunset is based on light intensity falling on solar panel.
- The battery backup will reduce if the ambient temperature is < 0 degree Celsius.
- The product is designed for use on Walkways, landscaping, etc.
- The product should not be stored for more than 6 months, it may severely affect the life of the battery

遥控器功能介绍:

- **On:** 灯具唤醒, 恢复到上次使用的工作模式, 白天充电, 天黑自动亮灯。如果是灯具处于充电中, 按此键会亮灯, 但是在 10 秒内会熄灭, 随后恢复正常工作模式
- **OFF:** 灯具休眠, 按下此键后, 即使晚上也不会亮灯; 但是白天能正常充电.
- **3H:** 天黑亮灯, 全亮模式直到电池没电保护, 电池充满电大概亮 3 小时.
- **6H:** 天黑亮灯, 半亮模式直到电池没电保护, 电池充满电大概亮 6 小时
- **12H:** 天黑亮灯, 低亮模式直到电池没电保护, 电池充满电大概亮 12 小时

注意:

- 首次使用需要用遥控器激活, 遥控器出厂未配有电池, 需另行购买, 遥控器配置纽扣**电池,型号 2025**
- 出厂默认设置的工作模式是“3H”
- 灯具上的 LED 指示灯: 红色常亮(充电)
- 灯具光输出会随着电池容量的减少有所减弱

产品使用注意事项:

- 安装在阳光能照射到的地方, 避免树, 建筑和墙的遮挡, 以便太阳能板收到尽量多的阳光来给电池充电
- 第一次使用请在阳光下充电 8 个小时
- 安装后, 可用遥控器设定工作模式
- 产品 100%阳光充电, 无需任何电气连接
- 产品通过照射到太阳能板上的光来判断天黑或者天亮
- 环境温度小于 0 摄氏度时, 电池使用时间会缩短
- 产品适用于步道, 景观
- 产品储存最好不要超过 6 个月, 可能会严重影响电池的使用寿命