



MASTER LEDspot ExpertColor LV

MASTER LED MR16 ExpertColor 7.2-50W 940 36D

MASTER LEDspot LV ExpertColor creates a warm and comfortable ambience for hospitality venues, homes and restaurants. It creates such an ambience with superior lighting that has a customised spectrum, high CRI and deep dimming feature. The result? A beautiful lighting experience. What's more, the innovative, trimless lens design will suit almost any interior decor with its clean and neat look. In addition, you can take advantage of the full ExpertColor family, which also includes LEDspot MV and LEDspot Par lamps.

Product data

General Information		LLMF at end of nominal lifetime (nom.) 70 %	
Cap base	GU5.3 [GU5.3]		
EU RoHS compliant	Yes	Operating and Electrical	
Nominal lifetime (nom.)	40000 h	Input frequency	- Hz
Switching cycle	50,000X	Power (Rated) (Nom)	7.2 W
Technical type	7.2-50W	Lamp current (nom.)	800 mA
Light Technical		Wattage equivalent	50 W
Colour Code	940 [CCT of 4,000 K]	Starting time (nom.)	0.5 s
Technical Beam Angle (Nom)	36 °	Warm-up time to 60% light (nom.)	1 s
Lamp Luminous Flux 25°C EL (Nom)	480 lm	Power factor (nom.)	0.7
Luminous intensity (nom.)	1450 cd	Voltage (Nom)	12 V
Colour Designation	Cool White (CW)	Temperature	
Colour Temperature, horizontal (Nom)	4000 K	T-Case maximum (nom.)	92 °C
Lamp Luminous Efficacy EM (Nom)	66.67 lm/W	Controls and Dimming	
Colour consistency	<3	Dimmable	Yes
Colour Rendering Index,horiz (Nom)	97		

MASTER LEDspot ExpertColor LV

Mechanical and Housing

Bulb shape MR16 [2inch/50mm]

Approval and Application

Energy-saving product Yes

Suitable for accent lighting Yes

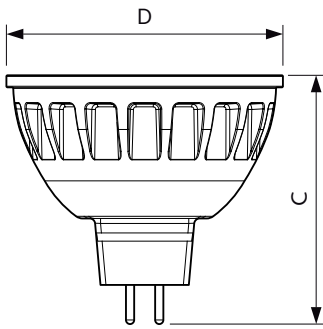
Energy consumption kWh/1,000 hours - kWh

Product Data

Full product code 871869657187300

Order product name	MASTER LED MR16 ExpertColor 7.2-50W 940 36D
EAN/UPC – product	8718696571873
Order code	929001242708
SAP numerator – quantity per pack	1
Numerator – packs per outer box	10
SAP material	929001242708
SAP net weight (piece)	0.034 kg

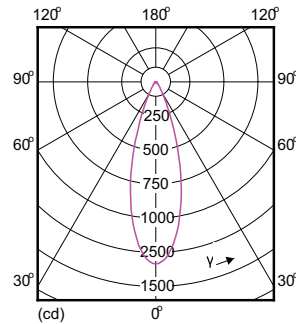
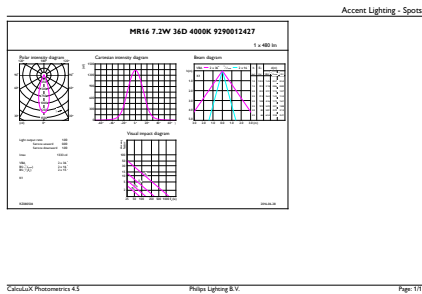
Dimensional drawing



MR16 12V 7.2-50W 420lm 36D 4000K GU5.3 D

Product	D	C
MASTER LED MR16 ExpertColor 7.2-50W 940 36D	51 mm	46 mm

Photometric data

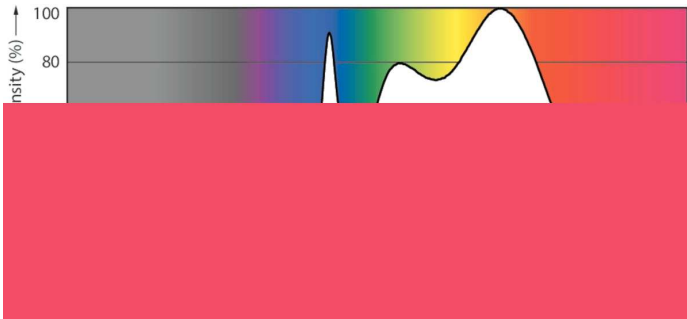


MAS LED ExpertColor 7.2-50W MR16 GU5.3 940 36D

MAS LED ExpertColor 7.2-50W MR16 GU5.3 940 36D

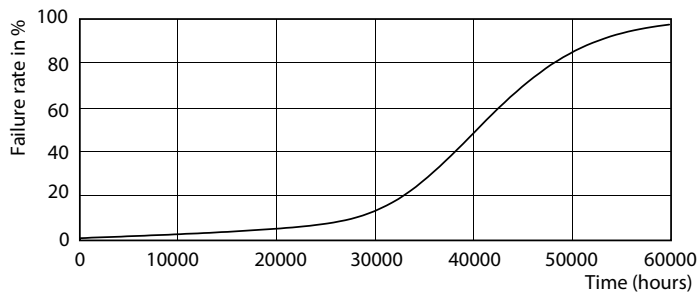
MASTER LEDspot ExpertColor LV

Photometric data



LEDspots MR16 7W 4000K

Lifetime



Master LEDspot ExpertColor LV 50W EZ10 927 10D



Master LEDspot ExpertColor LV 50W EZ10 927 10D

