



CorePro LED PLC 2P

LED PLC 6.5W 840 2P G24d-2

The CorePro LED PLC 2P integrates a LED light source into a traditional fluorescent form factor. This product is the ideal solution for uplamping in general lighting applications: it meets basic lighting requirements, offers significant energy savings and is environmentally friendly.

Product data

General Information		Warm-up time to 60% light (nom.)	
Cap base	G24D-2 [G24d-2]		0.5 s
EU RoHS compliant	Yes	Power factor (nom.)	0.9
Nominal lifetime (nom.)	30000 h	Voltage (Nom)	220-240 V
Switching cycle	50,000X	Temperature	
Light Technical		T-ambient (max.)	35 °C
Colour Code	840 [CCT of 4,000 K]	T-ambient (min.)	-20 °C
Technical Beam Angle (Nom)	120 °	T storage (max.)	65 °C
Lamp Luminous Flux 25°C EL (Nom)	700 lm	T storage (min.)	-40 °C
Colour Designation	Cool White (CW)	T-Case maximum (nom.)	65 °C
Colour Temperature, horizontal (Nom)	4000 K	Controls and Dimming	
Lamp Luminous Efficacy EM (Nom)	107.00 lm/W	Dimmable	No
Colour consistency	<6	Mechanical and Housing	
Colour Rendering Index,horiz (Nom)	83	Product length	100 mm
LLMF at end of nominal lifetime (nom.)	70 %	Bulb shape	Tube, single-ended
Operating and Electrical		Approval and Application	
Input frequency	50 to 60 Hz	Energy-saving product	Yes
Power (Rated) (Nom)	6.5 W	Approval marks	CE marking
Lamp current (max.)	35 mA	Energy consumption kWh/1,000 hours	9 kWh
Lamp current (min.)	25 mA		
Starting time (nom.)	0.5 s		

CorePro LED PLC 2P

Product Data

Full product code	871869667005700
Order product name	LED PLC 6.5W 840 2P G24d-2
EAN/UPC – product	8718696670057
Order code	929001201508
SAP numerator – quantity per pack	1

Numerator – packs per outer box	10
SAP material	929001201508
SAP net weight (piece)	0.077 kg

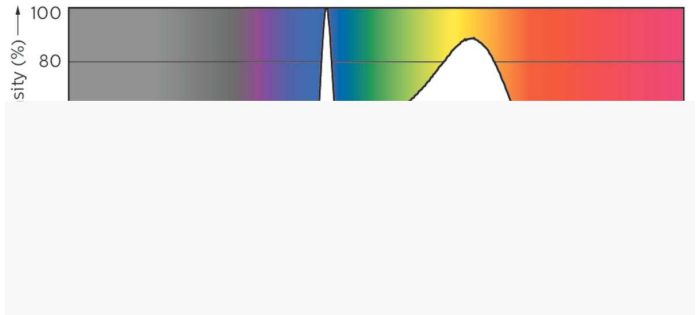
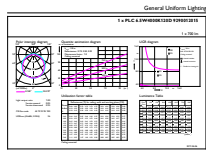
Dimensional drawing



Product	D1	D2	A1	A2	A3
LED PLC 6.5W 840 2P G24d-2	24.3 mm	28.4 mm	105.8 mm	125 mm	147.6 mm

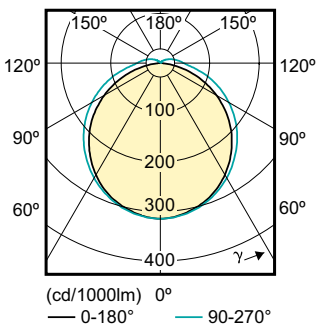
LEDtube PLC 6.5W G24d-2/840 2P

Photometric data



LEDtube PLC 100mm 7W G24D-2 840 700lm

LEDtube PLC 100mm 9W G24Q-3 840 1000lm



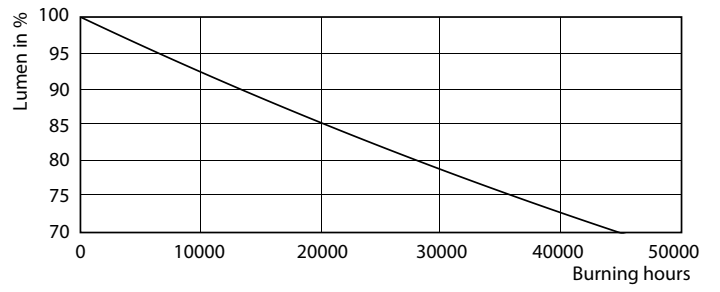
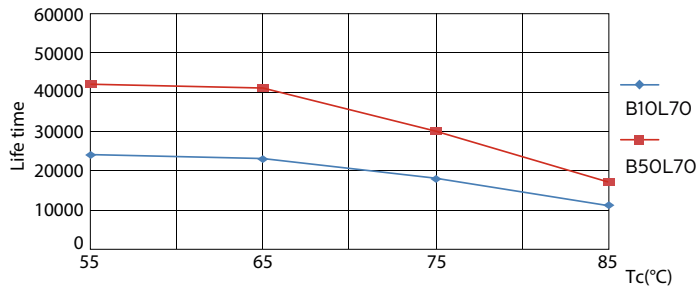
CorePro LED PLC 2P

Lifetime



LEDtube PLC 100mm 7W G24D-2 830 650lm

LEDtube PLC 100mm 7W G24D-2 830 650lm



LEDtube PLC 100mm 7W G24D-2 830 650lm

LEDtube PLC 100mm 7W G24D-2 830 650lm



LEDtube PLC 100mm 7W G24D-2 830 650lm

CorePro LED PLC 2P

