



# MASTERColour CDM-Tm Elite Mini

## MASTERColour CDM-Tm Elite Mini 35W/930 GU6.5 1CT

Mini, single-ended, very high-efficiency, long-life Ceramic Metal Halide discharge lamp producing crisp white sparkling light with high colour rendering

### Warnings and Safety

- Use only in totally enclosed luminaire, even during testing (IEC61167, IEC 62035, IEC60598)
- The luminaire must be able to contain hot lamp parts if the lamp ruptures
- Use only with electronic control gear
- For 50W use with Philips electronic gear only
- Control gear must include end-of-life protection (IEC61167, IEC 62035)

### Product data

General Information		Lamp Luminous Flux (Nom)	
Cap base	GU6.5 [ GU6.5]	Lamp Luminous Flux (Nom)	4000 lm
Burning Position	UNIVERSAL [ Any/Universal]	Colour Designation	Warm white (WW)
Life to 5% failures (nom.)	12000 h	Lumen maintenance 1,000 hours (nom.)	95 %
Life to 10% failures (nom.)	14000 h	Lumen maintenance 12,000 hours (nom.)	80 %
Life to 20% failures (nom.)	16000 h	Lumen maintenance 2,000 hours (nom.)	93 %
Life to 50% failures (nom.)	20000 h	Lumen maintenance 4,000 hours (nom.)	90 %
ANSI code HID	C130/E	Chromaticity coordinate X (nom.)	0.434
	Sphere	Chromaticity coordinate Y (nom.)	0.398
		Colour Temperature, horizontal (Nom)	3000 K
		Lamp Luminous Efficacy EM (Nom)	102 lm/W
		Colour Rendering Index,horiz (Min)	87
		Colour Rendering Index,horiz (Nom)	90
Light Technical			
Colour Code	930 [ CCT of 3,000 K]		
Lamp Luminous Flux 25°C EL (Nom)	4000 lm		
Lamp Luminous Flux (Min)	3600 lm		

# MASTERCcolour CDM-Tm Elite Mini

## Operating and Electrical

Power (Rated) (Nom)	39.1 W
Lamp current run-up (max.)	1 A
Re-ignition time (min.) (max.)	15 min
Ignition time (max.)	30 s
Voltage (Max)	95 V
Voltage (Min)	79 V
Voltage (Nom)	87 V

## Controls and Dimming

Dimmable	No
Run-up time 90% (max.)	3 min

## Mechanical and Housing

Lamp Finish	Clear
Bulb shape	T13.3

## Approval and Application

Energy Efficiency Class	F
Mercury (Hg) content (max.)	4.7 mg
Mercury (Hg) content (nom.)	4.7 mg
Energy consumption kWh/1,000 hours	40 kWh
	473261

## UV

PET (NIOSH) (min.)	8 h/500lx
Damage factor D/fc (max.)	0.4

## Luminaire Design Requirements

Bulb temperature (max.)	450 °C
Cap-base temperature (max.)	250 °C

## Product Data

Full product code	871829115382500
Order product name	MASTERCcolour CDM-Tm Elite Mini 35W/930 GU6.5 1CT
EAN/UPC – product	8718291153825
Order code	928187405130
SAP numerator – quantity per pack	1
Numerator – packs per outer box	12
SAP material	928187405130
SAP net weight (piece)	0.008 kg
ILCOS code	MT/UB-35/930-H-GU6.5-13.3/52

## Dimensional drawing

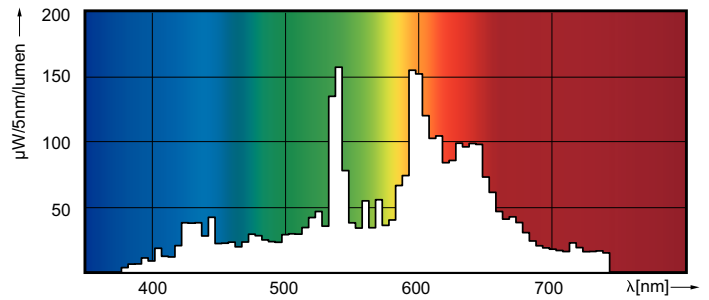
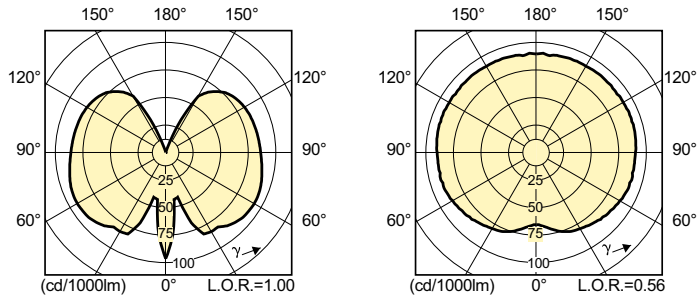
D

Product	D (max)	D	O	L (min)	L (max)	L	C (max)
MASTERCcolour CDM-Tm Elite Mini 35W/930	13.3 mm	0.5 in	4.7 mm	28 mm	32 mm	30 mm	56.7 mm
GU6.5 1CT							

CDM-Tm 35W/930 GU6.5

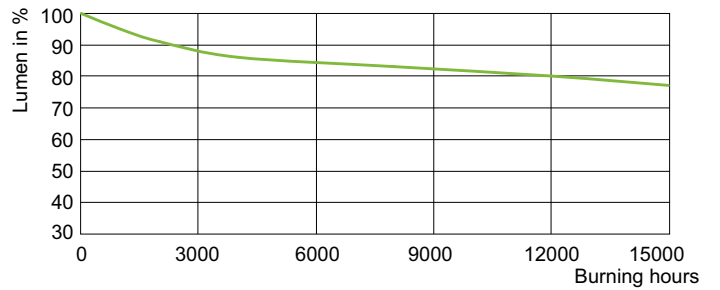
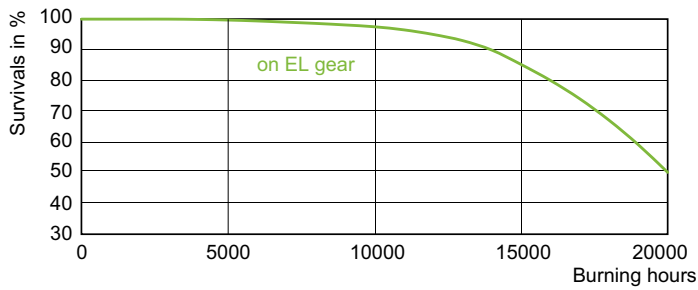
# MASTERCoulour CDM-Tm Elite Mini

## Photometric data



LDPO\_CDM-Tm\_35W\_930\_GU65-Spectral power distribution Colour

## Lifetime



LDLM\_CDM-Tm\_0001-Lumen maintenance diagram

