



# Dynalite Network Accessories

## DTK622-USB

Network gateway for passive integration to a PC or RS232 system. Also available as DTK622-232 (913703090109)

Network gateway for passive integration to a PC or RS232 system. Also available as DTK622-232 (913703090109)

### Product data

General information	
CE mark	CE mark
Type description – long text	Network gateway for passive integration to a PC or RS232 system.
Remarks	Please download the Lighting - Product Data Sheet for more information and ordering options
EU RoHS compliant	Yes

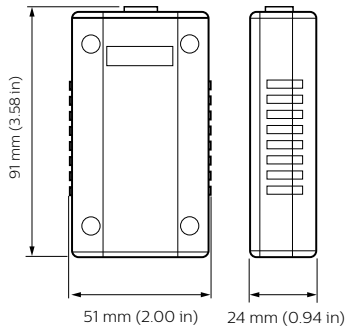
Application conditions	
Ambient temperature range	0 to +40 °C

Product data	
Full product code	871016350804700

Order product name	DTK622-USB
EAN/UPC – product	8710163508047
Order code	913703090209
SAP numerator – quantity per pack	1
Local code description	MODULO CONTROLE DTK622-USB
Numerator – packs per outer box	1
SAP material	913703090209
Net Weight (Piece)	0.200 kg

## Dynalite Network Accessories

### Dimensional drawing



DTK622-USB

