



Dynalite LED PWM Controllers

DDLEDC605GL

PWM Controller to directly drive LED fittings with pulse width modulation technology

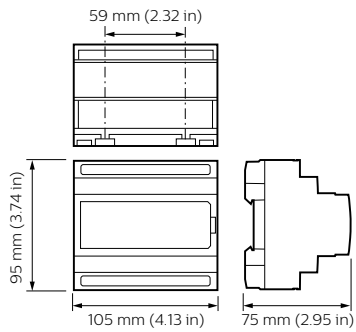
PWM Controller to directly drive LED fittings with pulse width modulation technology

Product data

General Information		Order product name	
CE mark	CE mark	Order product name	DDLEDC605GL
C-Tick	C-Tick	EAN/UPC – product	8710163516462
Remarks	Please download the Lighting - Product Data Sheet for more information and ordering options	Order code	913703061209
EU RoHS compliant	Yes	SAP numerator – quantity per pack	1
Application Conditions		Numerator – packs per outer box	1
Ambient temperature range	0 to +40 °C	SAP material	913703061209
Product Data		SAP net weight (piece)	0.207 kg
Full product code	871016351646200	Commercial Code	-
		Catalogue number description	DMX/Dynet via converter interface,

Dynalite LED PWM Controllers

Dimensional drawing



Dynalite Trailing Edge Dimmers

