



Dynalite Relay Controllers

DDRC810DT-GL

8 channel Relay Controller for any switched load up to 10A per channel, with a maximum box load of 40A.

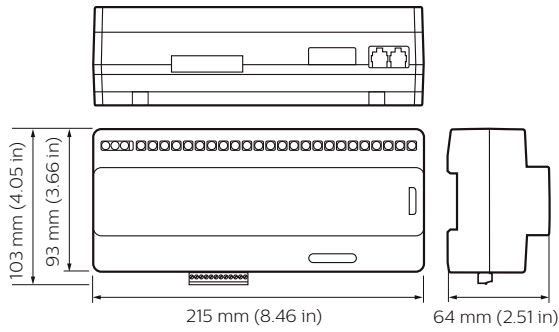
8 channel Relay Controller for any switched load up to 10A per channel, with a maximum box load of 40A.

Product data

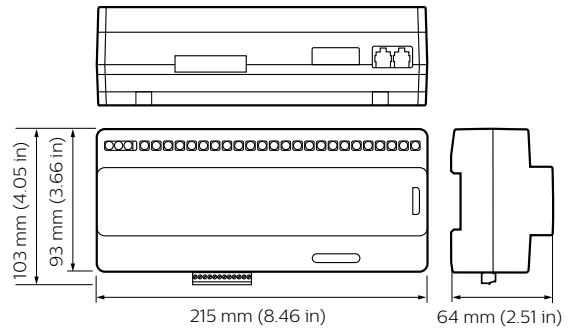
General Information		Order product name	
CE mark	CE mark	Order product name	DDRC810DT-GL
Remarks	Please download the Lighting - Product Data Sheet for more information and ordering options	EAN/UPC – product	8718696006887
EU RoHS compliant	Yes	Order code	913703035209
		SAP numerator – quantity per pack	1
		Numerator – packs per outer box	1
		SAP material	913703035209
		SAP net weight (piece)	490.000 g
Application Conditions			
Ambient temperature range	0 to +50 °C		
Product Data			
Full product code	871869600688700		

Dynalite Relay Controllers

Dimensional drawing



Dynalite Relay Controllers



Dynalite Relay Controllers

