



Dynalite Signal Dimmer Controllers

DDBC320-DALI

3 DALI outputs, up to 192 DALI devices including 3 x 20 A feed-through switched circuits for DALI driver mains supply.

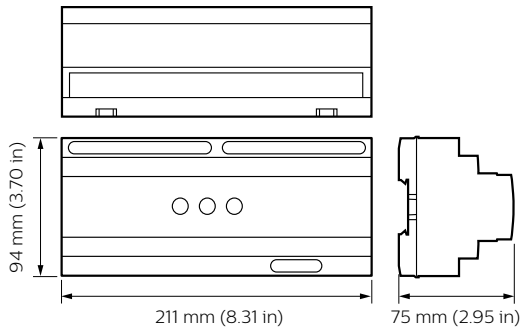
3 DALI outputs, up to 192 DALI devices including 3 x 20 A feed-through switched circuits for DALI driver mains supply.

Product data

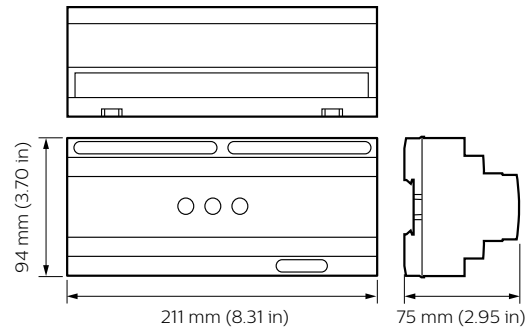
General Information		Order product name	
CE mark	CE mark	DDBC320-DALI	
Remarks	Please download the Lighting - Product Data Sheet for more information and ordering options	EAN/UPC – product	8710163506425
EU RoHS compliant	Yes	Order code	913703031209
		SAP numerator – quantity per pack	1
		Numerator – packs per outer box	1
		SAP material	913703031209
		SAP net weight (piece)	0.410 kg
Application Conditions			
Ambient temperature range	0 to +40 °C		
Product Data			
Full product code	871016350642500		

Dynalite Signal Dimmer Controllers

Dimensional drawing



Dynalite Signal Dimmer Controllers



Dynalite Signal Dimmer Controllers

