



UNIUrban

ZSP461 Screw-thread 340mm

Accessory - UNIUrban

UNIUrban is ideal for the urban lighting across the pavements, parks, gardens, residential areas and shopping centre areas. Its exquisite, stylish yet classic design is not only suitable for modern cities but also for historical architecture.

Product data

General Information	
CE mark	-
Material	Steel
Colour	Dark Grey

Mechanical and Housing	
Overall height	370 mm
Overall diameter	27 mm
Dimensions (height x width x depth)	370 x NaN x NaN mm (14.6 x NaN x NaN in)

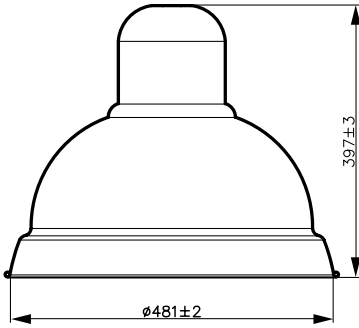
Approval and Application	
Ingress protection code	- [-]
Mech. impact protection code	IK08 [5 J vandal-protected]

Product Data	
Full product code	911401727822
Order product name	ZSP461 Screw-thread 340mm
Order code	911401727822
SAP numerator – quantity per pack	1
Numerator – packs per outer box	20
SAP material	911401727822
SAP net weight (piece)	0.599 kg



UNIUrban

Dimensional drawing



UNIUrban ZSP461/ZCP461

