



GreenUp Highbay G2

BY560X LED210/NW ACW2 IS WB

840 neutral white - Power supply unit with DALI interface - Wide beam

Height is not an issue any more, maximum 16 m movement detection together with the wireless ZigBee control, GreenUp HighBay G2, light up your space smartly.

Warnings and Safety

- The product is IPX0 & as such is not protected against water ingress and as such we strongly recommend that the environment in which the luminaire is to be installed is suitably checked
- If the above advice is not taken and the luminaires are subject to water ingress, Philips/Signify cannot guarantee safe failure and product warranty will become void

Product data

| General Information | | | |
|-------------------------------|--|---|--|
| Beam angle of light source | - ° | Glow-wire test | 650/5 [Temperature 650 °C, duration 5 s] |
| Lamp colour code | 840 neutral white | Flammability mark | F [For mounting on normally flammable surfaces] |
| Light source replaceable | No | CE mark | CE mark |
| Number of gear units | 1 unit | ENEC mark | - |
| Driver/power unit/transformer | PSD [Power supply unit with DALI interface] | Warranty period | 3 years |
| Driver included | Yes | Constant light output | No |
| Optic type | WB [Wide beam] | Number of products on MCB (16 A type B) | 24 |
| Optical cover/lens type | LIN-PC [Linear-lens array in polycarbonate cover] | Light source engine type | LED |
| Luminaire light beam spread | 90° | Operating and Electrical | |
| Control interface | DALI | Input Voltage | 220 to 240 V |
| Connection | Flying leads/wires | Input frequency | 50 to 60 Hz |
| Cable | Cable 1.5 m without plug (C1K5) | Inrush current | 5.1 A |
| Protection class IEC | Safety class I (I) | Inrush time | 760 ms |

GreenUp Highway G2

| | |
|--|------------------------|
| Power factor (min.) | 0.95 |
| Controls and Dimming | |
| Dimmable | Wireless Dim |
| Mechanical and Housing | |
| Housing material | Aluminum extruded |
| Reflector material | - |
| Optic material | Polycarbonate |
| Optical cover/lens material | Polycarbonate |
| Fixation material | - |
| Optical cover/lens finish | Clear |
| Overall length | 670 mm |
| Overall width | 280 mm |
| Colour | Aluminium and White |
| Approval and Application | |
| Ingress protection code | IP40 [Wire-protected] |
| Mech. impact protection code | IK03 [0.3 J] |
| Initial Performance (IEC Compliant) | |
| Initial luminous flux (system flux) | 21000 lm |
| Luminous flux tolerance | +/-10% |
| Initial LED luminaire efficacy | 137 lm/W |
| Lamp colour temperature | 4000 K |
| Colour Rendering Index | >80 |

| | |
|-----------------------------|--------------------|
| Initial chromaticity | (0.38, 0.38)SDCM<5 |
| Initial input power | 153 W |
| Power consumption tolerance | +/-10% |

Over Time Performance (IEC Compliant)

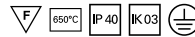
| | |
|---------------------------|---------|
| Median useful life L70B50 | 65000 h |
| Median useful life L80B50 | 45000 h |
| Median useful life L90B50 | 25000 h |

Application Conditions

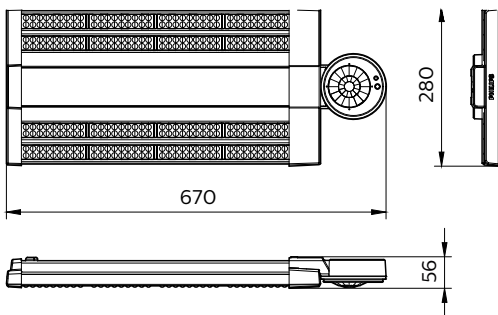
| | |
|-------------------------------|---------------|
| Ambient temperature range | -20 to +45 °C |
| Maximum dimming level | 1% |
| Suitable for random switching | Yes |

Product Data

| | |
|-----------------------------------|-----------------------------|
| Full product code | 911401521251 |
| Order product name | BY560X LED210/NW ACW2 IS WB |
| Order code | 911401521251 |
| SAP numerator – quantity per pack | 1 |
| Numerator – packs per outer box | 2 |
| SAP material | 911401521251 |
| SAP net weight (piece) | 3.399 kg |



Dimensional drawing



GreenUp High-bay BY550P/BY550X

GreenUp Highbay G2

