



# Your everyday LEDspot MR16

## Essential LEDspot MR16

Essential LEDspots MR16 are compatible with most existing fixtures with a GU5.3 socket and are designed as a retrofit replacement for halogen spots. Essential LEDspots MR16 deliver significant energy savings and minimise the initial investment.

### Benefits

- Up to 90 % energy saving compared with traditional halogen lamps
- Lower maintenance costs
- Low initial investment

### Features

- Easy retrofit
- Lifetime up to 15 000 hours
- Non-dimmable
- UV- and IR-free light

### Application

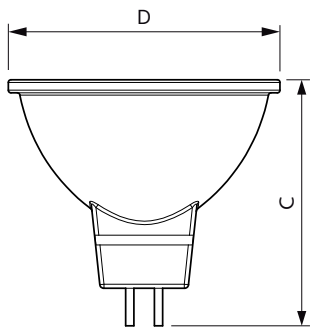
- Hotels, restaurants, bars, cafés, shops
- Lobbies, corridors, stairwells, washrooms, reception areas

# Essential LEDspot MR16

## Versions



## Dimensional drawing



Product	D	C
Essential LED 5-50W 6500K MR16 24D	50 mm	46 mm
Essential LED 5-50W 2700K MR16 24D	50 mm	46 mm

# Essential LEDspot MR16

## Approval and Application

Energy Consumption kWh/1000 h - kWh

## Controls and Dimming

Dimmable No

## Operating and Electrical

Input Frequency - Hz  
 Voltage (Nom) 12 V  
 Wattage Equivalent 50 W  
 Power (Nom) 5 W  
 Starting Time (Nom) 0.5 s

## General Information

Cap-Base GU5.3  
 Nominal Lifetime (Nom) 15000 h  
 Switching Cycle 50,000X

## Light Technical

Beam Angle (Nom) 24 °  
 Colour Rendering Index (Nom) 80  
 Llmf At End Of Nominal Lifetime (Nom) 70 %  
 Luminous Intensity (Nom) 1700 cd

## Mechanical and Housing

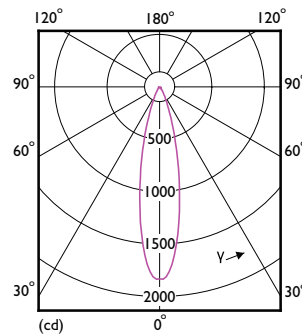
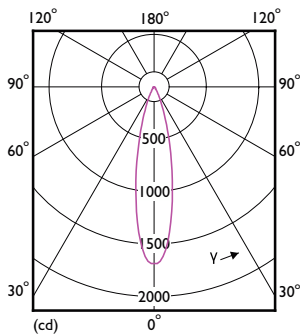
Bulb Shape MR16

## Temperature

T-Case Maximum (Nom) 76 °C

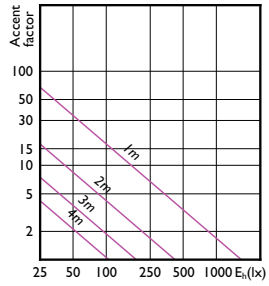
## Light Technical

Order Code	Full Product Name	Colour Code	Correlated Colour		Luminous Flux (Nom)
			Temperature (Nom)		
929001240108	Essential LED 5-50W 2700K MR16 24D	827	2700 K		400 lm
929001240208	Essential LED 5-50W 6500K MR16 24D	865	6500 K		435 lm

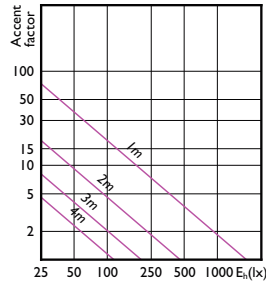


# Essential LEDspot MR16

## Accent Diagrams

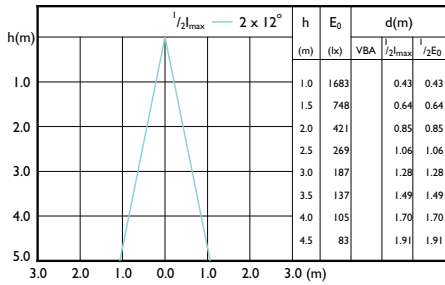


Accent Diagram

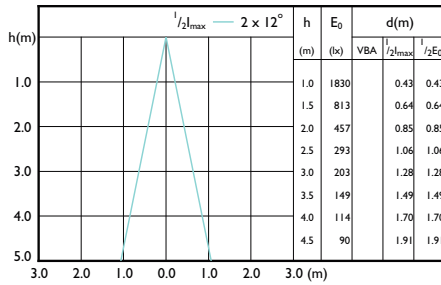


Accent Diagram

## Beam Diagrams



Beam Diagram



Beam Diagram

