



# Sophisticated yet simple energy-efficient lighting solutions

## Dynalite Integration Devices

Within any modern project, many third-party systems can be found performing different roles. Each separate system may use a different protocol for communication. Philips Dynalite has developed a range of gateway devices that can be used to synchronize these systems' functions into one integrated system solution. By utilizing the correct gateway, different systems can be integrated, allowing end-users access to a fully automated site from one interface. By successfully integrating third-party systems with a Dynalite solution, repetitive end-user interaction is reduced.

### Benefits

- Reduces repetitive end-user interaction
- Allows access to fully automated site from one interface

### Features

- A range of different gateways provides different integration opportunities and network management options

### Application

- Depends on the lighting system in which the controls are used

# Dynalite Integration Devices

## Versions

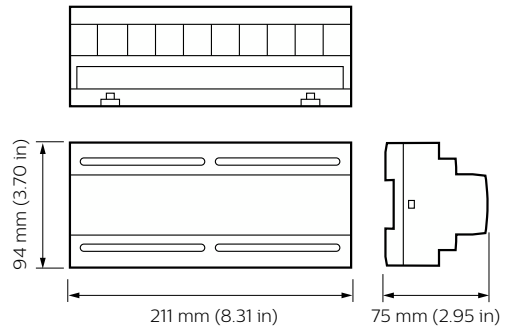
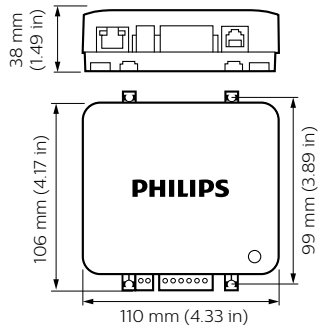


DDNG232 CONN new PS



PDEG Ethernet Gateway

## Dimensional drawing



## Product details

Front of the PDEG Ethernet Gateway



DDNG23\_new\_Front



